

SDIXtreme^{3G+} QUICK START GUIDE

3G SDI Fiber Optic Extension

STEP 5: Install the provided +5VDC power supply to the SDIXtreme^{3G+} Transmitter and plug it into a standard AC source. Ensure that the ACTIVE LED on the Transmitter comes on. The ACTIVE LED will blink if no SDI input is present.

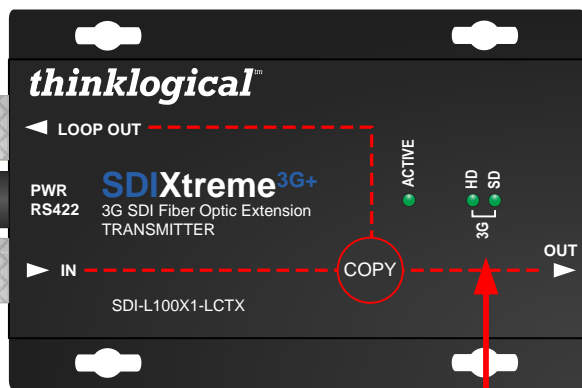
5VDC (PWR-000051-R)



3G, SD, HD SDI Loop Out

STEP 6: Connect your 3G, SD or HD SDI video source to the SDIXtreme^{3G+} Transmitter's IN Port. A local Monitor or other viewing device may be connected to the Transmitter's LOOP OUT port. If required, connect the device's RS422 port to the Transmitter's RS422 Port, located directly below the Power connector.

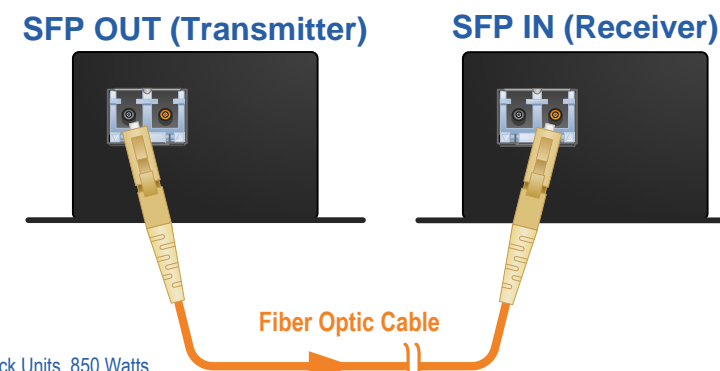
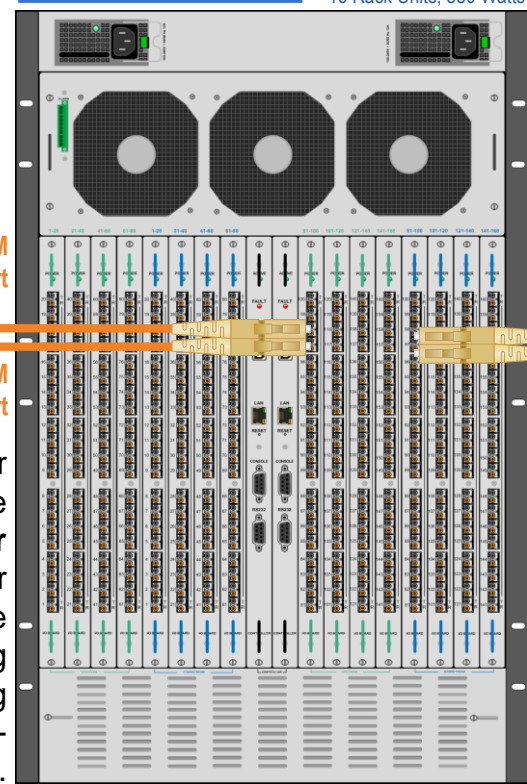
Source



4 From UPSTREAM Transmit Port
Fiber Optic Cable
To UPSTREAM Receive Port

STEP 4: Connect your Fiber Optic Cable from the SDIXtreme^{3G+} Transmitter OUT Port to a Router Receive Port or directly to the Receiver IN Port, depending on your application. If using RS422, a second, back-channel fiber, is required.

router VX160
KVM Matrix Switch 16 Rack Units, 850 Watts



Multi-Mode fiber can be up to 1000 meters in length.
Single-Mode fiber can be up to 40 kilometers.

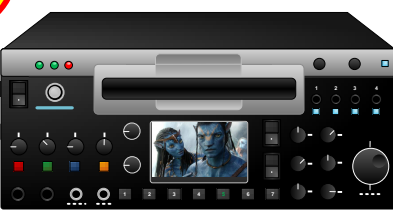
From DOWNSTREAM Transmit Port
To DOWNSTREAM Receive Port
1

STEP 1: Connect your Fiber Optic Cable from the SDIXtreme^{3G+} Receiver IN Port to a Router Transmit Port or directly to the Transmitter OUT Port, depending on your application. If using RS422, a second, back-channel fiber, is required.

5

6

RS422



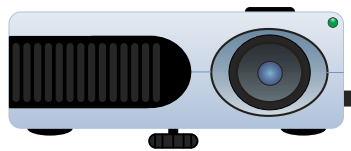
3G, SD, HD SDI Source



Destinations

3G, SD, HD SDI Destinations

STEP 3: Install your HD, SD or 3G SDI destination devices to the SDIXtreme^{3G+} Receiver's OUT Ports. If using RS422, connect your device to the Receiver's RS422 port (located directly below the Power Connector).



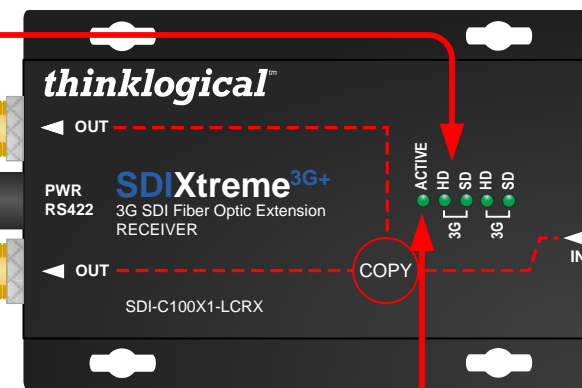
5VDC (PWR-000051-R)

2

STEP 2: Install the provided +5VDC power supply to the SDIXtreme^{3G+} Receiver and plug it into a standard AC source. Ensure that the ACTIVE LED on the Receiver comes on.

STEP 7: Ensure that the 3G, SD or HD LEDs are illuminated (depending on your signal type). These indicate that the connections are sound.

7



SDIXtreme3G+_Single_VX160_Quick_Start_Rev_A

thinklogical[™]

PHONE: 1-800-291-3211
WEBSITE: www.thinklogical.com
EMAIL: support@thinklogical.com

Visit us online at www.thinklogical.com for more product information, current updates and the complete line of Thinklogical[™] products.

Copyright © 2010. All rights reserved. Printed in the U.S.A. All trademarks and service marks are the property of their respective owners.