

---

**S P E C F I L E**

---

**Product Number :** PT-**RZ31K**

**Product Name :** 3-Chip DLP™ Projector

**Specifications**

**Main unit**

Power supply		AC 100-120 V, 50/60 Hz; AC 200-240 V, 50/60 Hz
Power consumption		2,870 W (2,870 VA AC200V) Average power consumption (Varies depending on operation mode setting.) HIGH: 2,310W NORMAL: 1,890W LONG LIFE 1: 1,040-1,680W LONG LIFE 2: 924-1,580W LONG LIFE 3: 794-1,460W *Operating Temperature: 25 °C (77 °F), Altitude: 700m (2,297ft), IEC627087: 2008 Broadcast contents, Picture mode: Standard, Dynamic contrast [2] 0.3 W with STANDBY MODE set to ECO 4 W with STANDBY MODE set to NORMAL Max 9,806 BTU
BTU value		
DLP™ chip	Panel size	24.4 mm (0.96 inches) diagonal (16:10 aspect ratio)
	Display method	DLP™ chip × 3 (R, G, B), DLP™ projection system
	Pixels	2,304,000 (1920 × 1200) × 3, total of 6,912,000 pixels
Lens		Optional powered zoom/focus lenses
Light source		Laser Diode Laser class 1
Illumination life of set		Varies depending on operation mode setting. Luminance life for set: 18,000 hours at half luminance (HIGH)/ 8,000 hours at 70% luminance 20,000 hours at half luminance (NORMAL) 43,800 hours at constant luminance (LONG LIFE 1)/ 61,320 hours at constant luminance (LONG LIFE 2)/ 87,600 hours at constant luminance (LONG LIFE 3) * IEC62087: 2008 Broadcast contents, Dynamic contrast [3]
Filter	Normal filter	Varies depending on operation mode setting. 4,000 hours (NORMAL)/2,000 hours (HIGH)/ 20,000 hours (LONG LIFE 1/2/3)
	Long life filter unit	20,000 hours (NORMAL)/4,000 hours (HIGH)/ 40,000 hours (LONG LIFE 1/2/3)
Screen size		1.78–25.4 m (70–1,000 inches) (16:10 aspect ratio) 1.78–15.24 m (70–600 inches) with the ET-D75LE8 (16:10 aspect ratio) 3.05–15.24 m (120–600 inches) with the ET-D75LE95 (16:10 aspect ratio)
Brightness*1		Varies depending on operation mode setting. 30,000 lm*2*4/31,000 lm*3*4 (Center) (HIGH) 25,000 lm*2*4/26,000 lm*3*4 (Center) (NORMAL) 12,000 lm at constant luminance (LONG LIFE 1) 10,000 lm at constant luminance (LONG LIFE 2) 8,000 lm at constant luminance (LONG LIFE 3)
Center-to-corner uniformity*1		90%
Contrast*1		20,000:1 (full on/full off, in Dynamic Contrast 3 mode)
Resolution		1920 × 1200 pixels (Input signals that exceed this resolution will be converted to 1920 × 1200 pixels.)
Scanning frequency	Video/YC	fH:15.73KHz fV:59.94Hz, fH:15.63KHz fV:50Hz
	RGB	• Resolution: 640 x 400 pixels to 1920 x 1200 pixels • Dot clock frequency: 162MHz or less • PIAS (Panasonic Intelligent Auto Scanning)
	YPbPr(YCbCr)	• Resolution: 480i/576i to 1920 x 1080 pixels • Dot clock frequency: 148.5MHz or less • The SYNC/HD and VD terminals do not support 3 value SYNC.
	DVI	• Moving image signal resolution: 480i*5/576i*5 to 1920x1080 Still image signal resolution: 640 x 400 to 1920 x 1200 (non-interlace) • Dot clock frequency: 25 MHz to 162 MHz



Terminals	RGB1 IN R,G,B	BNC × 5 R: 0.7 Vp-p, 75 ohms, G: 0.7 Vp-p (G: 1.0 Vp-p for sync on G), 75 ohms, B: 0.7 Vp-p, 75 ohms HD, VD/SYNC: TTL, high impedance, positive/negative automatic
	Y, P <sub>B</sub> , P <sub>R</sub> (Y, C <sub>B</sub> , C <sub>R</sub> ) Y/C	Y: 1.0 Vp-p (including sync signal), P <sub>B</sub> /P <sub>R</sub> (C <sub>B</sub> /C <sub>R</sub> ): 0.7 Vp-p, 75 ohms Y: 1.0 Vp-p (including sync signal), C: 0.286 Vp-p, 75 ohms
	VIDEO IN	BNC × 1, 1.0 Vp-p, 75 ohms
	RGB2 IN R,G,B	D-sub HD 15-pin (female) × 1 R: 0.7 Vp-p, 75 ohms, G: 0.7 Vp-p (G: 1.0 Vp-p for sync on G), 75 ohms, B: 0.7 Vp-p, 75 ohms HD, VD/SYNC: TTL, high impedance, positive/negative automatic
	Y, P <sub>B</sub> , P <sub>R</sub> (Y, C <sub>B</sub> , C <sub>R</sub> )	Y: 1.0 Vp-p (including sync signal), P <sub>B</sub> /P <sub>R</sub> (C <sub>B</sub> /C <sub>R</sub> ): 0.7 Vp-p, 75 ohms
	DVI-D IN	DVI-D 24-pin × 1 Single link, DVI 1.0 compliant, HDCP compatible
	HDMI IN	HDMI 19-pin x1 HDCP compatible, Deep Color compatible
	SDI IN 1	BNC × 1 SD-SDI signal SMPTE ST 259 compliant HD-SDI signal SMPTE ST 292 compliant 3G-SDI signal SMPTE ST 424 compliant Dual link HD-SDI (LINK-A) signal SMPTE ST 372 compliant Dual link 3G-SDI (Link 1) signal SMPTE ST 425 compliant
	SDI IN 2	BNC × 1 SD-SDI signal SMPTE ST 259 compliant HD-SDI signal SMPTE ST 292 compliant 3G-SDI signal SMPTE ST 424 compliant Dual link HD-SDI (LINK-B) signal SMPTE ST 372 compliant Dual link 3G-SDI (Link 2) signal SMPTE ST 425 compliant
	DIGITAL LINK	RJ-45 HDBaseT™ compliant, HDCP compatible, Deep Color compatible
	3D SYNC1 IN/OUT / MULTI PROJECTOR SYNC IN	BNC × 1, IN : TTL Hi-z OUT : TTL max10mA
	3D SYNC2 OUT / MULTI PROJECTOR SYNC OUT	BNC × 1, TTL max10mA
	SERIAL IN	D-sub 9 pin × 1 for external control (RS-232C compliant)
	SERIAL OUT	D-sub 9 pin × 1 for link control
	REMOTE 1 IN	M3 stereo mini jack × 1 for wired remote control
	REMOTE 1 OUT	M3 stereo mini jack × 1 for link control
	REMOTE 2 IN	D-sub 9 pin × 1 for external control (parallel)
	DIGITAL LINK/LAN	RJ-45 × 1 (for network, DIGITAL LINK connection, 100Base-TX, compatible with Art-Net, PJLink™ (class 1), Deep Color, HDCP)
	DC OUT 5V	USB connector (type A) x 2 for power supply only (DC 5V, Max.900mA)
Power cord length		3.0 m (9 ft 10 in) ft
Cabinet materials		Processed metal parts, Molded plastic
Dimensions (W × H × D):		700 × 418* <sup>8</sup> × 1,250 mm (27-9/16 × 16-15/32 × 49-7/32 inches) (with protrusion parts) 700 × 373* <sup>9</sup> × 1,070 mm (27-9/16 × 14-11/16 × 42-1/8 inches) (without protrusion parts)
Weight* <sup>10</sup>		79 kg (174.2 lbs)

Operation noise\*2 49 dB  
 Operating temperature Varies depending on operation mode setting.  
 HIGH/NORMAL  
 The operating temperature range is 0°C to 50°C (32 °F to 122 °F).  
 (Less than 1,400m (4,593 ft) above sea level)  
 The operating temperature range is 0°C to 45°C (32 °F to 113 °F).  
 (Less than 1,400m (4,593 ft) to 4,200m (13,780 ft) above sea level)  
 • If using at ambient operating temperatures of 35 °C (95 °F) or higher and at less than 2,700m (8,858 ft) above sea level, or at ambient operating temperatures of 25 °C (77 °F) or higher and between 2,700m (8,858 ft) and 4,200m (13,780 ft) above sea level, the brightness of the light source may drop in order to protect the projector.  
 LONG LIFE 1/2/3  
 The operating temperature range is 0°C to 45°C (32 °F to 113 °F).  
 (Less than 2,700m (8,858 ft) above sea level)  
 • If using at ambient operating temperatures of 35 °C (95 °F) or higher, the brightness of the light source may drop in order to protect the projector.  
 When using a smoke cut filter (regardless of operating mode)  
 0 °C to 40 °C (32 °F to 104 °F) Less than 1,400 m (4,953 ft) above sea level  
 Operating humidity 10%–80% (no condensation)

**Remote control unit**

Power supply 3 V DC (AA/R6 type battery × 2)  
 Operation range Approx. 30 m (985 in) ftwhen operated from directly in front of the signal receptor  
 Dimensions (W × H × D) 47.5 × 181.5 × 27.5 mm (1-7/8 × 7-5/32 × 1-3/32 inches)  
 Weight Approx. 150 g (5.3 oz) (including batteries)

**Supplied accessories**

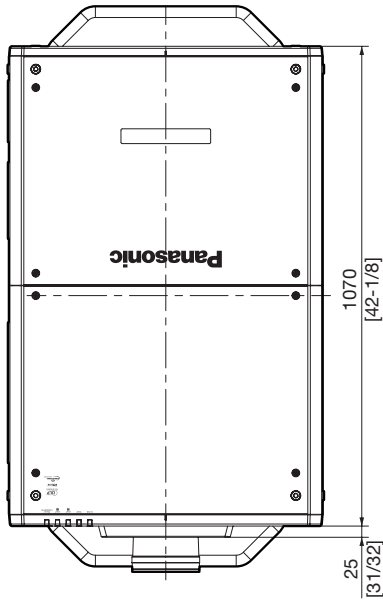
Power cord (×3)  
 Wireless/wired remote control unit (× 1)  
 Batteries for remote control (AA/R6 type × 2)  
 Lens drop-prevention screw (× 1)  
 Replacement filter unit (ET-EMF330) (× 4)  
 Lens hole cover (× 1)  
 Software CD-ROM (Logo Transfer Software, Multi Monitoring & Control Software) (× 1)

**Optional accessories**

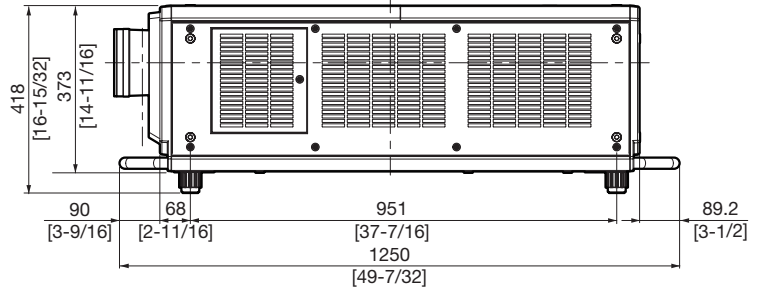
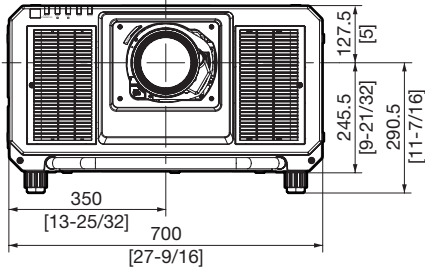
Zoom lens (0.9–1.1:1)	ET-D75LE6	Zoom lens (1.3–1.7:1)	ET-D75LE10
Zoom lens (1.7–2.4:1)	ET-D75LE20	Zoom lens (2.4–4.7:1)	ET-D75LE30
Zoom lens (4.6–7.4:1)	ET-D75LE40	Zoom lens (7.3–13.8:1)	ET-D75LE8
Fixed-focus lens (0.7:1)	ET-D75LE50	Fixed-focus lens (0.36:1)	ET-D75LE95
Long life filter unit	ET-EMFU330	Smoke cut filter	ET-SFR330
Replacement filter unit	ET-EMF330	Upgrade kit	ET-UK20
Early Warning Software	ET-SWA100	Auto Screen Adjustment Upgrade Kit	ET-CUK10
Auto Screen Adjustment Upgrade Kit (PC)	ET-CUK10P	Digital interface box	ET-YFB100G
Digital LINK Switcher	ET-YFB200G		

\*1 When the standby mode is set to eco, network functions such as power on over the LAN network will not operate, and the serial output terminal cannot be used. Also, only certain commands can be received for external control using the serial terminal.  
 \*2 Measurement, measuring conditions, and method of notation all comply with ISO 21118 international standards.  
 \*3 The value of the light output at the center region of the projected image is extracted based on the light output measurement method defined by the ISO/IEC 21118:2012 international standards.  
 \*4 In AC200V, When using a projection lens other than ET-D75LE95.  
 \*5 Pixel-Repetition signal(dot clock frequency 27.0MHz) only  
 \*6 Only the vertical keystone correction angle can be corrected in the direction in which the projector body moves away from the screen.  
 \*7 When [VERTICAL KEYSTONE] and [HORIZONTAL KEYSTONE] are used simultaneously, correction cannot be made exceeding total of 55°.  
 \*8 With legs at shortest position.  
 \*9 Without legs.  
 \*10 Average value. May differ depending on the actual unit.

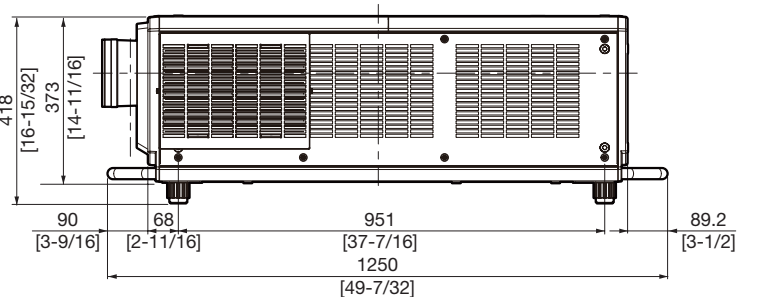
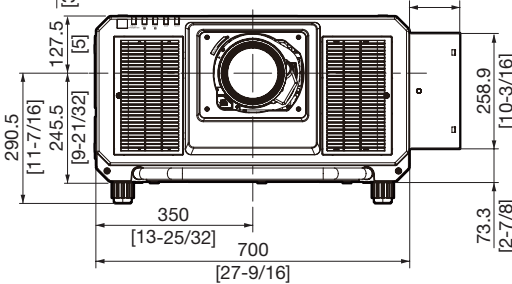
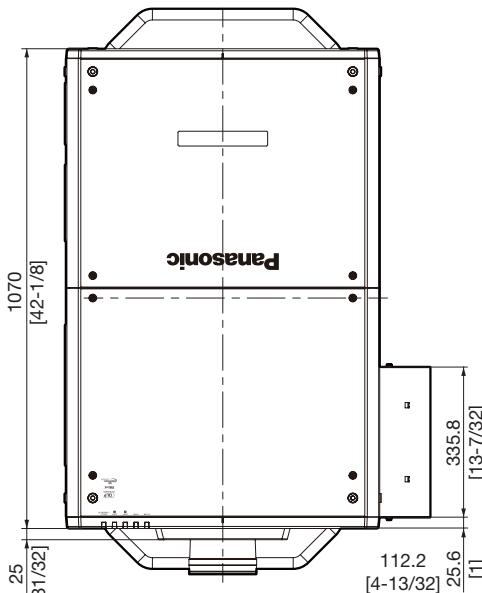
Dimensions



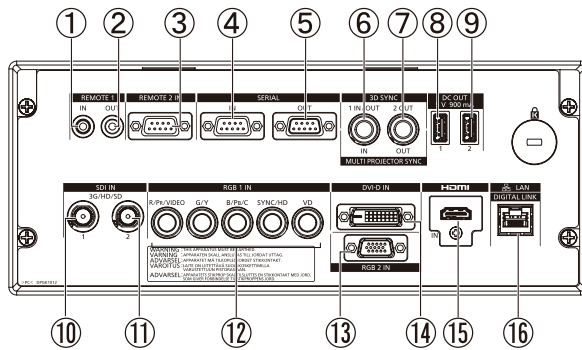
unit : mm (inch)  
 NOTE: This illustration is not drawn to scale.



When the long-life filter unit (Model No.: ET-EMFU330, sold separately) is installed

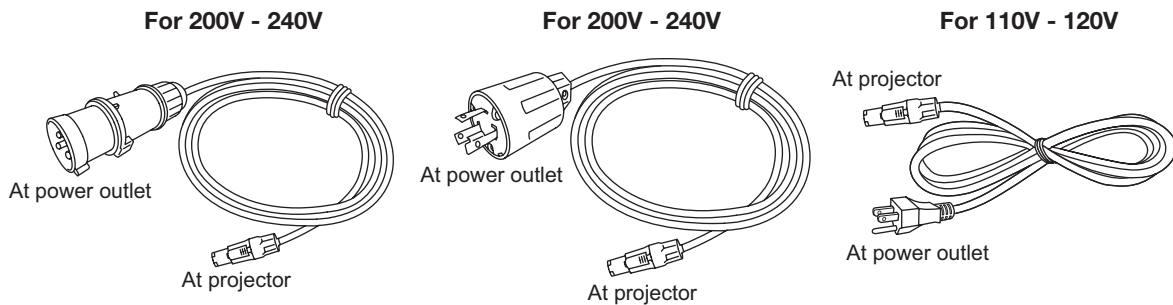


**Terminals**

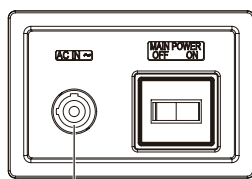


- 1 Remote 1 input
- 2 Remote 1 output
- 3 Remote 2 input
- 4 Serial input
- 5 Serial output
- 6 MULTI PROJECTOR SYNC IN 3D SYNC 1 IN/OUT
- 7 MULTI PROJECTOR SYNC OUT 3D SYNC 2 OUT
- 8 DC 1 output
- 9 DC 2 output
- 10 SDI 1 input
- 11 SDI 2 input
- 12 RGB 1 input
- 13 RGB 2 Input
- 14 DVI-D input
- 15 HDMI input
- 16 LAN/DIGITAL LINK connector

**Power cord**



**At projector**



AC IN terminal

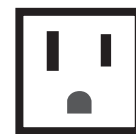
**Power outlets that can be used**



2P/3W 30 A 250 V  
NEMA L6-30



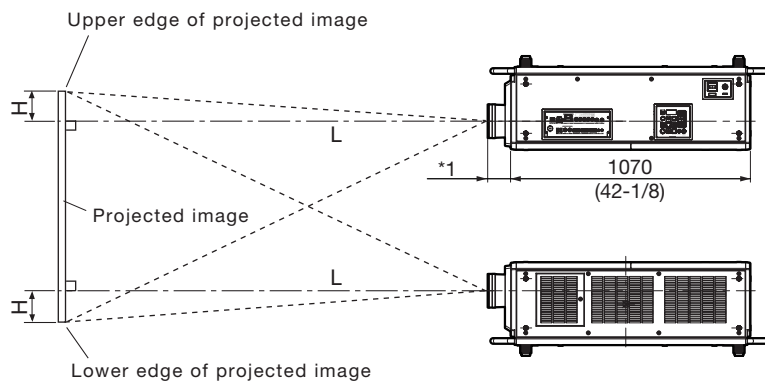
2P/3W 30 A 250 V  
Clock position 6h



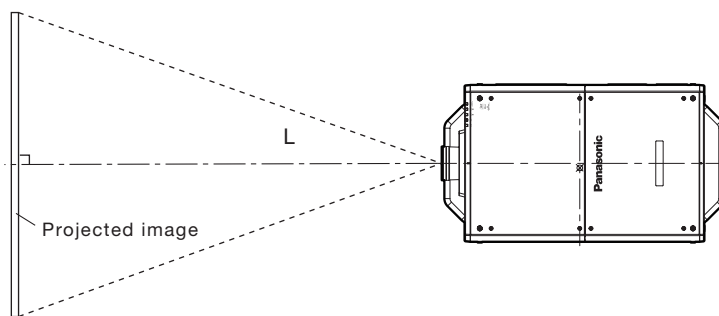
2P/3W 15 A 125 V

This projector supports AC 100 V to AC 120 V, and AC 200 V to AC 240 V as the power supply. A grounded outlet supporting 30 A is required when using the projector with AC 200 V to AC 240 V. A grounded outlet supporting 15 A is required when using the projector with AC 100 V to AC 120 V. The shape of the usable outlet differs depending on the power supply. Following illustrations are examples.

Standard setting-up position



unit : mm (inch)



This illustration is not drawn to scale.

\*1 When the lens protrudes to the maximum.

- 182 mm (7-5/32) with the ET-D75LE6
- 95 mm (3-3/4) with the ET-D75LE10
- 91 mm (3-19/32) with the ET-D75LE20
- 91 mm (3-19/32) with the ET-D75LE30
- 94 mm (3-11/16) with the ET-D75LE40
- 224 mm (8-13/16) with the ET-D75LE8
- 173 mm (6-13/16) with the ET-D75LE50

If the ET-D75LE95 is attached, refer to the projection system dimension drawing and the projection distance table for ET-D75LE95 specifications.

**Caution:**

- All construction work should be done by a qualified technician.



**Projection distance for 16:10 aspect ratio screen**

(ET-D75LE6/D75LE10/D75LE20/D75LE30/D75LE40/D75LE8/D75LE50)

**Unit: meters**

Screen size (diagonal)	Distance to screen (L)												Height from the edge of screen to center of lens (H)					
	Zoom												Fixed-focus					
	ET-D75LE6 Zoom lens		ET-D75LE10 Zoom lens		ET-D75LE20 Zoom lens		ET-D75LE30 Zoom lens		ET-D75LE40 Zoom lens		ET-D75LE8 Zoom lens		ET-D75LE50 Fixed-focus lens		Zoom lenses Except ET-D75LE6		Fixed- focus lens	
[m] / [in]	min.	max.	min.	max.	min.	max.	min.	max.	min.	max.	min.	max.	min.	max.	min.	max.	min.	max.
1.78 / 70	1.35	1.62	1.90	2.46	2.46	3.58	3.56	6.94	6.87	11.05	10.78	20.56	1.01	-0.05	-0.99	0.06	-0.89	0.47
2.03 / 80	1.56	1.86	2.19	2.83	2.83	4.11	4.08	7.96	7.88	12.65	12.38	23.55	1.16	-0.05	-1.13	0.07	-1.01	0.54
2.29 / 90	1.76	2.10	2.47	3.20	3.19	4.64	4.61	8.98	8.88	14.25	13.97	26.54	1.32	-0.06	-1.27	0.07	-1.14	0.61
2.54 / 100	1.96	2.34	2.76	3.56	3.55	5.17	5.13	9.99	9.88	15.85	15.57	29.53	1.47	-0.07	-1.41	0.08	-1.27	0.67
3.05 / 120	2.36	2.82	3.32	4.30	4.28	6.22	6.18	12.03	11.89	19.05	18.76	35.51	1.78	-0.08	-1.70	0.10	-1.52	0.81
3.81 / 150	2.96	3.55	4.18	5.40	5.37	7.81	7.75	15.08	14.90	23.85	23.54	44.47	2.24	-0.10	-2.12	0.12	-1.90	1.01
5.08 / 200	3.97	4.75	5.60	7.24	7.19	10.45	10.38	20.17	19.93	31.86	31.52	59.41	3.01	-0.14	-2.83	0.16	-2.53	1.35
6.35 / 250	4.98	5.96	7.02	9.07	9.01	13.09	13.00	25.25	24.95	39.86	39.49	74.36	3.78	-0.17	-3.53	0.20	-3.16	1.68
7.62 / 300	5.99	7.17	8.44	10.91	10.82	15.73	15.62	30.34	29.97	47.87	47.47	89.30	4.56	-0.20	-4.24	0.24	-3.80	2.02
8.89 / 350	6.99	8.37	9.86	12.74	12.64	18.37	18.24	35.42	34.99	55.87	55.44	104.24	5.33	-0.24	-4.95	0.28	-4.43	2.36
10.16 / 400	8.00	9.58	11.28	14.58	14.46	21.01	20.86	40.51	40.01	63.87	63.42	119.19	6.10	-0.27	-5.65	0.32	-5.06	2.69
12.70 / 500	10.01	11.99	14.12	18.25	18.09	26.29	26.11	50.68	50.05	79.88	79.37	149.08	7.64	-0.34	-7.07	0.40	-6.33	3.37
15.24 / 600	12.03	14.40	16.96	21.93	21.73	31.58	31.35	60.85	60.09	95.89	95.32	178.96	9.18	-0.40	-8.48	0.49	-7.59	4.04
17.78 / 700	14.04	16.82	19.80	25.60	25.36	36.86	36.60	71.02	70.13	111.90	111.27	-	10.72	-0.47	-9.90	0.57	-8.86	4.71
20.32 / 800	16.06	19.23	22.64	29.27	29.00	42.14	41.84	81.19	80.17	127.91	127.23	-	12.27	-0.54	-11.31	0.65	-10.12	5.39
22.86 / 900	18.07	21.64	25.48	32.94	32.63	47.42	47.09	91.36	90.21	143.92	143.12	-	13.81	-0.61	-12.72	0.73	-11.39	6.06
25.40 / 1000	20.08	24.06	28.33	36.61	36.27	52.70	52.33	101.53	100.25	159.93	159.13	-	15.35	-0.67	-14.14	0.81	-12.65	6.73

**Unit: feet**

Screen size (diagonal)	Distance to screen (L)												Height from the edge of screen to center of lens (H)					
	Zoom												Fixed-focus					
	ET-D75LE6 Zoom lens		ET-D75LE10 Zoom lens		ET-D75LE20 Zoom lens		ET-D75LE30 Zoom lens		ET-D75LE40 Zoom lens		ET-D75LE8 Zoom lens		ET-D75LE50 Fixed-focus lens		Zoom lenses Except ET-D75LE6		Fixed- focus lens	
[m] / [in]	min.	max.	min.	max.	min.	max.	min.	max.	min.	max.	min.	max.	min.	max.	min.	max.	min.	max.
1.78 / 70	4.4	5.3	6.2	8.1	8.1	11.7	11.7	22.8	22.5	36.2	35.4	67.5	3.3	-0.2	-3.2	0.2	-2.9	1.6
2.03 / 80	5.1	6.1	7.2	9.3	9.3	13.5	13.4	26.1	25.8	41.5	40.6	77.3	3.8	-0.2	-3.7	0.2	-3.3	1.8
2.29 / 90	5.8	6.9	8.1	10.5	10.5	15.2	15.1	29.5	29.1	46.7	45.8	87.1	4.3	-0.2	-4.2	0.2	-3.7	2.0
2.54 / 100	6.4	7.7	9.0	11.7	11.7	16.9	16.8	32.8	32.4	52.0	51.1	96.9	4.8	-0.2	-4.6	0.3	-4.2	2.2
3.05 / 120	7.7	9.3	10.9	14.1	14.0	20.4	20.3	39.5	39.0	62.5	61.5	116.5	5.8	-0.3	-5.6	0.3	-5.0	2.7
3.81 / 150	9.7	11.6	13.7	17.7	17.6	25.6	25.4	49.5	48.9	78.3	77.2	145.9	7.3	-0.3	-7.0	0.4	-6.2	3.3
5.08 / 200	13.0	15.6	18.4	23.7	23.6	34.3	34.0	66.2	65.4	104.5	103.4	194.9	9.8	-0.4	-9.3	0.5	-8.3	4.4
6.35 / 250	16.3	19.6	23.0	29.8	29.5	42.9	42.6	82.8	81.8	130.8	129.6	244.0	12.3	-0.6	-11.6	0.7	-10.4	5.5
7.62 / 300	19.6	23.5	27.7	35.8	35.5	51.6	51.2	99.5	98.3	157.0	155.7	293.0	14.9	-0.7	-13.9	0.8	-12.5	6.6
8.89 / 350	22.9	27.5	32.3	41.8	41.5	60.3	59.8	116.2	114.8	183.3	181.9	342.0	17.5	-0.8	-16.2	0.9	-14.5	7.7
10.16 / 400	26.2	31.4	37.0	47.8	47.4	68.9	68.5	132.9	131.3	209.6	208.1	391.0	20.0	-0.9	-18.6	1.1	-16.6	8.8
12.70 / 500	32.9	39.3	46.3	59.9	59.4	86.3	85.7	166.3	164.2	262.1	260.4	489.1	25.1	-1.1	-23.2	1.3	-20.8	11.0
15.24 / 600	39.5	47.3	55.6	71.9	71.3	103.6	102.9	199.6	197.1	314.6	312.7	587.1	30.1	-1.3	-27.8	1.6	-24.9	13.3
17.78 / 700	46.1	55.2	65.0	84.0	83.2	120.9	120.1	233.0	230.1	367.1	365.1	-	35.2	-1.5	-32.5	1.9	-29.1	15.5
20.32 / 800	52.7	63.1	74.3	96.0	95.1	138.3	137.3	266.4	263.0	419.6	417.4	-	40.2	-1.8	-37.1	2.1	-33.2	17.7
22.86 / 900	59.3	71.0	83.6	108.1	107.1	155.6	154.5	299.7	296.0	472.2	469.5	-	45.3	-2.0	-41.7	2.4	-37.4	19.9
25.40 / 1000	65.9	78.9	92.9	120.1	119.0	172.9	171.7	333.1	328.9	524.7	522.1	-	50.4	-2.2	-46.4	2.7	-41.5	22.1

- The value for L (distance to screen) varies slightly within ±5% depending on the zoom lens characteristics.
- At the shortest projection distance, the zoom lens characteristics may cause slight image distortion.
- When vertical keystone correction is used, the image is corrected in the direction that reduces its projected size.

NOTE: When the ET-D75LE50 is mounted, the optical lens shift function cannot be used.

**Projection distance for 16:9 aspect ratio screen**

(ET-D75LE6/D75LE10/D75LE20/D75LE30/D75LE40/D75LE8/D75LE50)

**Unit: meters**

Screen size (diagonal)	Distance to screen (L)												Height from the edge of screen to center of lens (H)					
	Zoom												Fixed-focus					
	ET-D75LE6 Zoom lens		ET-D75LE10 Zoom lens		ET-D75LE20 Zoom lens		ET-D75LE30 Zoom lens		ET-D75LE40 Zoom lens		ET-D75LE8 Zoom lens		ET-D75LE50 Fixed-focus lens		Zoom lenses Except ET-D75LE6		Fixed- focus lens	
[m] / [in]	min.	max.	min.	max.	min.	max.	min.	max.	min.	max.	min.	max.	min.	max.	min.	max.	min.	max.
1.78 / 70	1.39	1.66	1.96	2.53	2.53	3.68	3.66	7.14	7.07	11.36	11.09	21.14	1.04	-0.09	-0.96	0.00	-0.87	0.44
2.03 / 80	1.60	1.91	2.25	2.91	2.91	4.23	4.20	8.19	8.10	13.00	12.73	24.22	1.20	-0.10	-1.10	0.00	-1.00	0.50
2.29 / 90	1.81	2.16	2.54	3.29	3.28	4.77	4.74	9.23	9.13	14.65	14.37	27.29	1.36	-0.11	-1.23	0.00	-1.12	0.56
2.54 / 100	2.01	2.41	2.83	3.67	3.65	5.31	5.28	10.28	10.16	16.29	16.01	30.36	1.51	-0.13	-1.37	0.00	-1.25	0.62
3.05 / 120	2.43	2.90	3.42	4.42	4.40	6.40	6.36	12.37	12.23	19.58	19.29	36.50	1.83	-0.15	-1.64	0.00	-1.49	0.75
3.81 / 150	3.05	3.65	4.29	5.55	5.52	8.03	7.97	15.50	15.32	24.52	24.21	45.72	2.31	-0.19	-2.06	0.00	-1.87	0.93
5.08 / 200	4.08	4.89	5.76	7.44	7.39	10.74	10.67	20.73	20.48	32.75	32.40	61.08	3.10	-0.25	-2.74	0.00	-2.49	1.25
6.35 / 250	5.12	6.13	7.22	9.33	9.26	13.46	13.36	25.96	25.64	40.97	40.60	76.44	3.89	-0.31	-3.42	0.00	-3.11	1.56
7.62 / 300	6.15	7.37	8.68	11.21	11.13	16.17	16.06	31.18	30.80	49.20	48.80	91.79	4.68	-0.37	-4.11	0.00	-3.74	1.87
8.89 / 350	7.19	8.61	10.13	13.10	12.99	18.88	18.75	36.41	35.96	57.43	57.00	107.15	5.48	-0.44	-4.79	0.00	-4.36	2.18
10.16 / 400	8.22	9.85	11.60	14.99	14.86	21.60	21.45	41.64	41.12	65.65	65.19	122.51	6.29	-0.50	-5.48	0.00	-4.98	2.49
12.70 / 500	10.29	12.33	14.52	18.76	18.60	27.03	26.84	52.09	51.44	82.11	81.59	153.23	7.85	-0.62	-6.85	0.00	-6.23	3.11
15.24 / 600	12.36	14.81	17.44	22.54	22.33	32.46	32.23	62.54	61.76	98.56	97.98	183.95	9.44	-0.75	-8.22	0.00	-7.47	3.74
17.78 / 700	14.43	17.29	20.36	26.31	26.07	37.89	37.62	73.00	72.09	115.02	114.38	-	11.02	-0.87	-9.59	0.00	-8.72	4.36
20.32 / 800	16.50	19.77	23.28	30.09	29.81	43.31	43.01	83.45	82.45	131.47	130.77	-	12.61	-1.00	-10.96	0.00	-9.96	4.98
22.86 / 900	18.57	22.25	26.20	33.86	33.54	48.74	48.40	93.90	92.73	147.92	147.17	-	14.19	-1.12	-12.33	0.00	-11.21	5.60
25.40 / 1000	20.64	24.73	29.12	37.64	37.28	54.17	53.79	104.36	103.05	164.38	163.56	-	15.78	-1.25	-13.70	0.00	-12.45	6.23

**Unit: feet**

Screen size (diagonal)	Distance to screen (L)												Height from the edge of screen to center of lens (H)					
	Zoom												Fixed-focus					
	ET-D75LE6 Zoom lens		ET-D75LE10 Zoom lens		ET-D75LE20 Zoom lens		ET-D75LE30 Zoom lens		ET-D75LE40 Zoom lens		ET-D75LE8 Zoom lens		ET-D75LE50 Fixed-focus lens		Zoom lenses Except ET-D75LE6		Fixed- focus lens	
[m] / [in]	min.	max.	min.	max.	min.	max.	min.	max.	min.	max.	min.	max.	min.	max.	min.	max.	min.	max.
1.78 / 70	4.6	5.5	6.4	8.3	8.3	12.1	12.0	23.4	23.2	37.3	36.4	69.4	3.4	-0.3	-3.2	0.0	-2.9	1.4
2.03 / 80	5.2	6.3	7.4	9.6	9.5	13.9	13.8	26.9	26.6	42.7	41.8	79.4	3.9	-0.3	-3.6	0.0	-3.3	1.6
2.29 / 90	5.9	7.1	8.3	10.8	10.8	15.6	15.5	30.3	30.0	48.1	47.1	89.5	4.4	-0.4	-4.1	0.0	-3.7	1.8
2.54 / 100	6.6	7.9	9.3	12.0	12.0	17.4	17.3	33.7	33.3	53.5	52.5	99.6	5.0	-0.4	-4.5	0.0	-4.1	2.0
3.05 / 120	8.0	9.5	11.2	14.5	14.4	21.0	20.8	40.6	40.1	64.2	63.3	119.8	6.0	-0.5	-5.4	0.0	-4.9	2.5
3.81 / 150	10.0	12.0	14.1	18.2	18.1	26.3	26.2	50.9	50.3	80.4	79.4	150.0	7.6	-0.6	-6.7	0.0	-6.1	3.1
5.08 / 200	13.4	16.0	18.9	24.4	24.2	35.2	35.0	68.0	67.2	107.4	106.3	200.4	10.2	-0.8	-9.0	0.0	-8.2	4.1
6.35 / 250	16.8	20.1	23.7	30.6	30.4	44.1	43.8	85.2	84.1	134.4	133.2	250.8	12.8	-1.0	-11.2	0.0	-10.2	5.1
7.62 / 300	20.2	24.2	28.5	36.8	36.5	53.1	52.7	102.3	101.1	161.4	160.1	301.2	15.4	-1.2	-13.5	0.0	-12.3	6.1
8.89 / 350	23.6	28.2	33.3	43.0	42.6	62.0	61.5	119.5	118.0	188.4	187.0	351.6	18.0	-1.4	-15.7	0.0	-14.3	7.2
10.16 / 400	27.0	32.3	38.0	49.2	48.8	70.9	70.4	136.6	134.9	215.4	213.9	401.9	20.6	-1.6	-18.0	0.0	-16.3	8.2
12.70 / 500	33.8	40.4	47.6	61.6	61.0	88.7	88.0	170.9	168.8	269.4	267.7	502.7	25.8	-2.0	-22.5	0.0	-20.4	10.2
15.24 / 600	40.6	48.6	57.2	73.9	73.3	106.5	105.7	205.2	202.6	323.4	321.5	603.5	31.0	-2.5	-27.0	0.0	-24.5	12.3
17.78 / 700	47.4	56.7	66.8	86.3	85.5	124.3	123.4	239.5	236.5	377.3	375.3	-	36.2	-2.9	-31.5	0.0	-28.6	14.3
20.32 / 800	54.1	64.8	76.4	98.7	97.8	142.1	141.1	273.8	270.5	431.3	429.0	-	41.4	-3.3	-36.0	0.0	-32.7	16.3
22.86 / 900	60.9	73.0	85.9	111.1	110.0	159.9	158.8	308.1	304.2	485.3	482.8	-	46.6	-3.7	-40.4	0.0	-36.8	18.4
25.40 / 1000	67.7	81.1	95.5	123.5	122.3	177.7	176.5	342.4	338.1	539.3	536.6	-	51.8	-4.1	-44.9	0.0	-40.9	20.4

- The value for L (distance to screen) varies slightly within ±5% depending on the zoom lens characteristics.
- At the shortest projection distance, the zoom lens characteristics may cause slight image distortion.
- When vertical keystone correction is used, the image is corrected in the direction that reduces its projected size.

NOTE: When the ET-D75LE50 is mounted, the optical lens shift function cannot be used.

**Calculation of the projection distance**

For a screen size different from the above, use the equation below to calculate the projection distance.

**Aspect ratio 16:10**

**Zoom lenses**

ET-D75LE6	minimum	$L (m) = (\text{diagonal screen size in inches}) \times 0.0207 - 0.0566$
	maximum	$L (m) = (\text{diagonal screen size in inches}) \times 0.0248 - 0.0736$
ET-D75LE10	minimum	$L (m) = (\text{diagonal screen size in inches}) \times 0.0284 - 0.0857$
	maximum	$L (m) = (\text{diagonal screen size in inches}) \times 0.0367 - 0.1085$
ET-D75LE20	minimum	$L (m) = (\text{diagonal screen size in inches}) \times 0.0364 - 0.0832$
	maximum	$L (m) = (\text{diagonal screen size in inches}) \times 0.0528 - 0.1162$
ET-D75LE30	minimum	$L (m) = (\text{diagonal screen size in inches}) \times 0.0524 - 0.1131$
	maximum	$L (m) = (\text{diagonal screen size in inches}) \times 0.1017 - 0.1765$
ET-D75LE40	minimum	$L (m) = (\text{diagonal screen size in inches}) \times 0.1004 - 0.1577$
	maximum	$L (m) = (\text{diagonal screen size in inches}) \times 0.1601 - 0.1615$
ET-D75LE8	minimum	$L (m) = (\text{diagonal screen size in inches}) \times 0.1640 - 0.3862$
	maximum	$L (m) = (\text{diagonal screen size in inches}) \times 0.3072 - 0.3598$

**Fixed-focus lens**

ET-D75LE50	$L (m) = (\text{diagonal screen size in inches}) \times 0.0154 - 0.0713$
------------	--

**Aspect ratio 16:9**

**Zoom lenses**

ET-D75LE6	minimum	$L (m) = (\text{diagonal screen size in inches}) \times 0.0225 - 0.0566$
	maximum	$L (m) = (\text{diagonal screen size in inches}) \times 0.0270 - 0.0736$
ET-D75LE10	minimum	$L (m) = (\text{diagonal screen size in inches}) \times 0.0292 - 0.0857$
	maximum	$L (m) = (\text{diagonal screen size in inches}) \times 0.0377 - 0.1085$
ET-D75LE20	minimum	$L (m) = (\text{diagonal screen size in inches}) \times 0.0374 - 0.0832$
	maximum	$L (m) = (\text{diagonal screen size in inches}) \times 0.0543 - 0.1162$
ET-D75LE30	minimum	$L (m) = (\text{diagonal screen size in inches}) \times 0.0539 - 0.1131$
	maximum	$L (m) = (\text{diagonal screen size in inches}) \times 0.1045 - 0.1765$
ET-D75LE40	minimum	$L (m) = (\text{diagonal screen size in inches}) \times 0.1032 - 0.1577$
	maximum	$L (m) = (\text{diagonal screen size in inches}) \times 0.1645 - 0.1615$
ET-D75LE8	minimum	$L (m) = (\text{diagonal screen size in inches}) \times 0.1786 - 0.3862$
	maximum	$L (m) = (\text{diagonal screen size in inches}) \times 0.3346 - 0.3598$

**Fixed-focus lens**

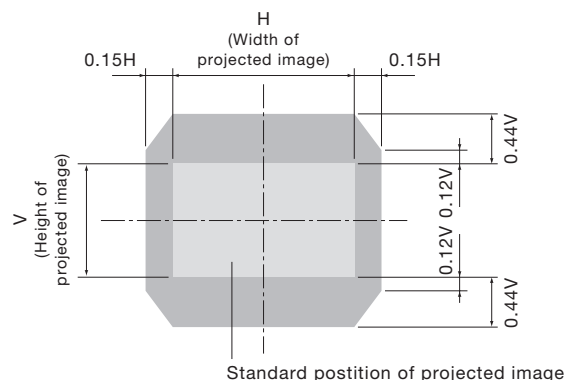
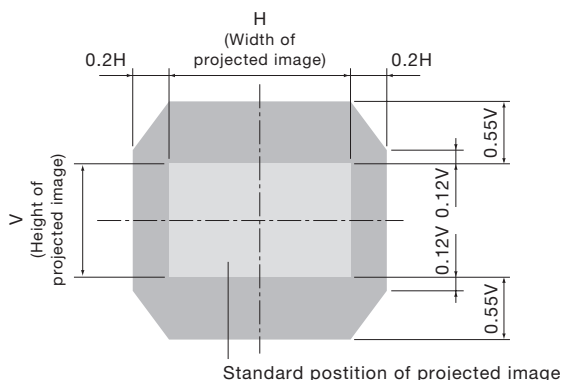
ET-D75LE50	$L (m) = (\text{diagonal screen size in inches}) \times 0.0159 - 0.0713$
------------	--

• Distances calculated with the above equations will include slight deviations.

**Shift range**

Optical axis shift function allows to shift the position of a projected image as shown below.

- When the lens except the ET-D75LE6 is mounted
- When the ET-D75LE6 is mounted

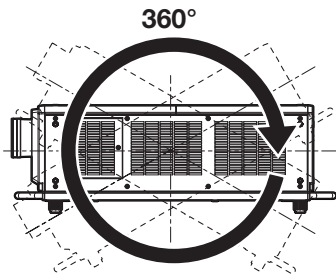


**NOTE:** Because the ET-D75LE50 is a fixed short-throw lens, the lens shift function cannot be used with it.

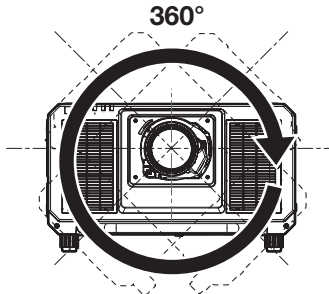
**Installable angle**

Install the projector at an angle within the range shown below.

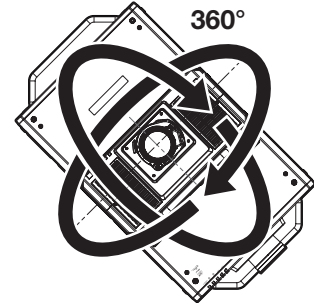
**FULL 360-degree projection**



Vertical 360-deg.



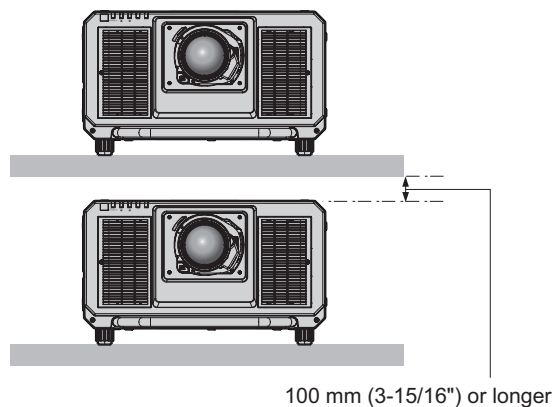
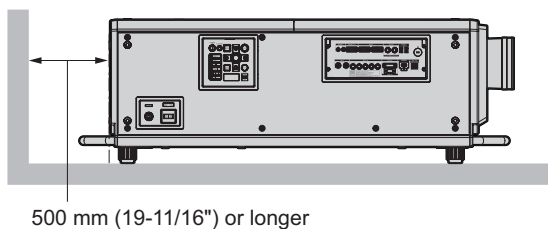
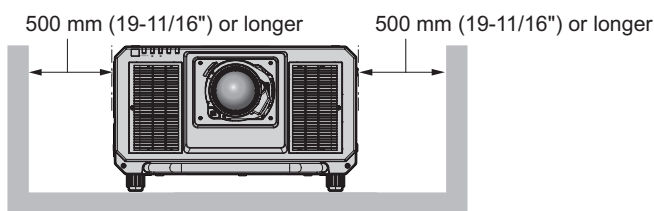
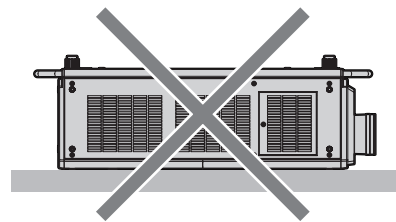
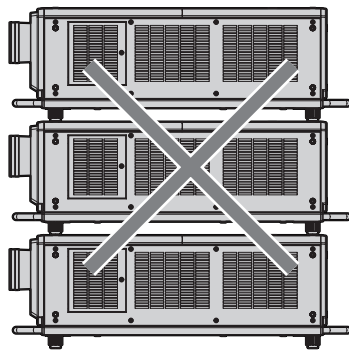
Horizontal 360-deg.



Tilting 360-deg.  
(V&H combination)

**Notes on projector placement and operation**

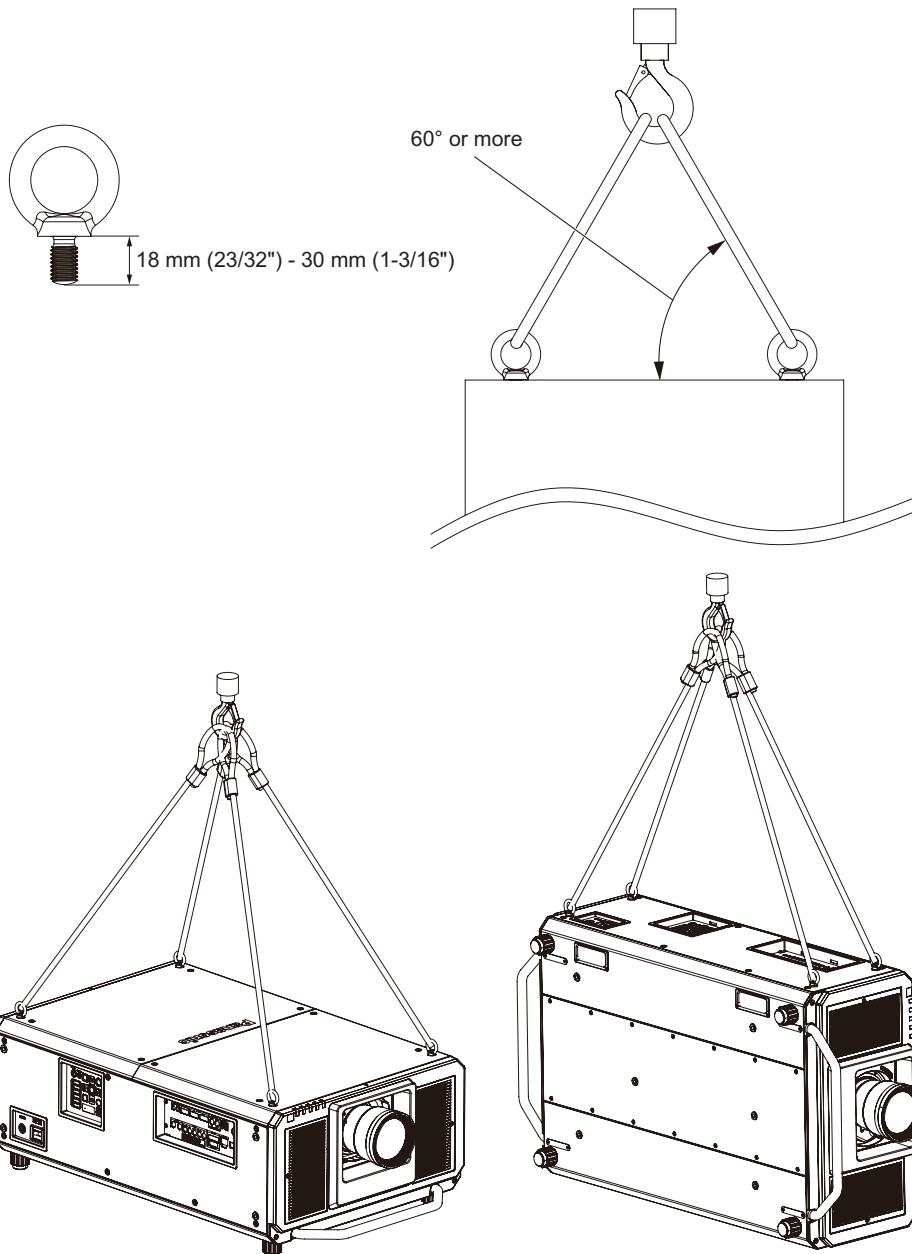
- Prevent hot and cool air from the air conditioning system to blow directly to the ventilation ports (intake and exhaust) of the projector.



- Do not install the projector in a confined space. When installing the projector in a confined space, provide air conditioning or ventilation separately. Exhaust heat may accumulate when the ventilation is not enough, triggering the protection circuit of the projector.

**Cautions when conducting lifting work**

- Use the eyebolts only when temporarily lifting the projector such as when installing the projector.
- Use ISO standard eyebolts (commercially available) for the M10 with an underhead length of 18 mm (23/32") to 30 mm (1-3/16"). Also use ISO standard parts for other components to lift the projector (wires, etc.).
- Lift the projector using the eyebolts attached to 4 locations on the same plane.
- Set the lifting angle to 60° or more.



List of RGB1, RGB2, DVI-D, HDMI, DigitalLink compatible signals

Compatible signal	Resolution (Dots)	Scanning freq.		Dot clock freq. (MHz)	VIDEO (RGB1)	Y/C (RGB1)	Input terminal			
		H (KHz)	V (Hz)				RGB 1	RGB 2	DVI-D	HDMI DIGITAL LINK
"NTSC/NTSC4.43/PAL-M/PAL60"	720 x 480i	15.7	59.9	-	✓	✓	-	-	-	-
PAL/PAL-N/SECAM	720 x 576i	15.6	50.0	-	✓	✓	-	-	-	-
480/60i	720 x 480i	15.7	59.9	13.5	-	-	✓	✓	-	-
576/50i	720 x 576i	15.6	50.0	13.5	-	-	✓	✓	-	-
480/60i	720(1440) x 480i*1	15.7	59.9	27.0	-	-	-	-	✓	✓
576/50i	720(1440) x 576i*1	15.6	50.0	27.0	-	-	-	-	✓	✓
480/60p	720 x 480	31.5	59.9	27.0	-	-	✓	✓	✓	✓
576/50p	720 x 576	31.3	50.0	27.0	-	-	✓	✓	✓	✓
720/60p	1280 x 720	45.0	60.0	74.3	-	-	✓	✓	✓	✓
720/50p	1280 x 720	37.5	50.0	74.3	-	-	✓	✓	✓	✓
1080/60i	1920 x 1080i	33.8	60.0	74.3	-	-	✓	✓	✓	✓
1080/50i	1920 x 1080i	28.1	50.0	74.3	-	-	✓	✓	✓	✓
1080/24p	1920 x 1080	27.0	24.0	74.3	-	-	✓	✓	✓	✓
1080/24sF	1920 x 1080i	27.0	48.0	74.3	-	-	✓	✓	✓	✓
1080/25p	1920 x 1080	28.1	25.0	74.3	-	-	✓	✓	✓	✓
1080/30p	1920 x 1080	33.8	30.0	74.3	-	-	✓	✓	✓	✓
1080/60p	1920 x 1080	67.5	60.0	148.5	-	-	✓	✓	✓	✓
1080/50p	1920 x 1080	56.3	50.0	148.5	-	-	✓	✓	✓	✓
640x400/70	640 x 400	31.5	70.1	25.2	-	-	✓	✓	✓	✓
640 x 400/85	640 x 400	37.9	85.1	31.5	-	-	✓	✓	✓	✓
640 x 480/60	640 x 480	31.5	59.9	25.2	-	-	✓	✓	✓	✓
640 x 480/67	640 x 480	35.0	66.7	30.2	-	-	✓	✓	✓	✓
640 x 480/73	640 x 480	37.9	72.8	31.5	-	-	✓	✓	✓	✓
640 x 480/75	640 x 480	37.5	75.0	31.5	-	-	✓	✓	✓	✓
640 x 480/85	640 x 480	43.3	85.0	36.0	-	-	✓	✓	✓	✓
800 x 600/56	800 x 600	35.2	56.3	36.0	-	-	✓	✓	✓	✓
800 x 600/60	800 x 600	37.9	60.3	40.0	-	-	✓	✓	✓	✓
800 x 600/72	800 x 600	48.1	72.2	50.0	-	-	✓	✓	✓	✓
800 x 600/75	800 x 600	46.9	75.0	49.5	-	-	✓	✓	✓	✓
800 x 600/85	800 x 600	53.7	85.1	56.3	-	-	✓	✓	✓	✓
832 x 624/75	832 x 624	49.7	74.6	57.3	-	-	✓	✓	✓	✓
1024 x 768/50	1024 x 768	39.6	50.0	51.9	-	-	✓	✓	✓	✓
1024 x 768/60	1024 x 768	48.4	60.0	65.0	-	-	✓	✓	✓	✓
1024 x 768/70	1024 x 768	56.5	70.1	75.0	-	-	✓	✓	✓	✓
1024 x 768/75	1024 x 768	60.0	75.0	78.8	-	-	✓	✓	✓	✓
1024 x 768/82	1024 x 768	65.5	81.6	86.0	-	-	✓	✓	✓	✓
1024 x 768/85	1024 x 768	68.7	85.0	94.5	-	-	✓	✓	✓	✓
1024 x 768/100	1024 x 768*3	81.4	100.0	113.3	-	-	✓	✓	✓	✓
1024 x 768/120	1024 x 768*3	98.8	120.0	139.1	-	-	✓	✓	✓	✓
1152 x 864/60	1152 x 864	53.7	60.0	81.6	-	-	✓	✓	✓	✓
1152 x 864/70	1152 x 864	64.0	70.0	94.2	-	-	✓	✓	✓	✓
1152 x 864/75	1152 x 864	67.5	75.0	108.0	-	-	✓	✓	✓	✓
1152 x 864/85	1152 x 864	77.1	85.0	119.7	-	-	✓	✓	✓	✓
1152 x 870/75	1152 x 870	68.7	75.1	100.0	-	-	✓	✓	✓	✓
1280 x 720/50	1280 x 720	37.1	49.8	60.5	-	-	✓	✓	✓	✓
1280 x 720/60	1280 x 720	44.8	59.9	74.5	-	-	✓	✓	✓	✓
1280 x 720/100	1280 x 720*3	76.3	100.0	131.8	-	-	✓	✓	✓	✓
1280 x 720/120	1280 x 720*3	92.6	120.0	161.6	-	-	✓	✓	✓	✓
1280 x 768/50	1280 x 768	39.6	49.9	65.3	-	-	✓	✓	✓	✓
1280 x 768/60	1280 x 768	47.8	59.9	79.5	-	-	✓	✓	✓	✓
1280 x 768/75	1280 x 768*2	47.4	60.0	68.3	-	-	✓	✓	✓	✓
1280 x 768/85	1280 x 768	60.3	74.9	102.3	-	-	✓	✓	✓	✓
1280 x 768/85	1280 x 768	68.6	84.8	117.5	-	-	✓	✓	✓	✓
1280 x 800/50	1280 x 800	41.3	50.0	68.0	-	-	✓	✓	✓	✓
1280 x 800/60	1280 x 800	49.7	59.8	83.5	-	-	✓	✓	✓	✓
1280 x 800/75	1280 x 800*2	49.3	59.9	71.0	-	-	✓	✓	✓	✓
1280 x 800/75	1280 x 800	62.8	74.9	106.5	-	-	✓	✓	✓	✓

Compatible signal	Resolution (Dots)	Scanning freq.		Dot clock freq. (MHz)	VIDEO (RGB1)	Y/C (RGB1)	Input terminal			
		H (KHz)	V (Hz)				RGB 1	RGB 2	DVI-D	HDMI DIGITAL LINK
1280 x 800/85	1280 x 800	71.6	84.9	122.5	-	-	✓	✓	✓	✓
1280 x 960/60	1280 x 960	60.0	60.0	108.0	-	-	✓	✓	✓	✓
1280 x 1024/50	1280 x 1024	52.4	50.0	88.0	-	-	✓	✓	✓	✓
1280 x 1024/60	1280 x 1024	64.0	60.0	108.0	-	-	✓	✓	✓	✓
1280 x 1024/66	1280 x 1024	72.3	66.3	125.0	-	-	✓	✓	✓	✓
1280 x 1024/72	1280 x 1024	78.2	72.0	135.1	-	-	✓	✓	✓	✓
1280 x 1024/75	1280 x 1024	80.0	75.0	135.0	-	-	✓	✓	✓	✓
1280 x 1024/85	1280 x 1024	91.1	85.0	157.5	-	-	✓	✓	✓	✓
1366 x 768/50	1366 x 768	39.6	49.9	69.0	-	-	✓	✓	✓	✓
1366 x 768/60	1366 x 768	47.7	59.8	85.5	-	-	✓	✓	✓	✓
1400 x 1050/50	1400 x 1050	54.1	50.0	99.9	-	-	✓	✓	✓	✓
1400 x 1050/60	1400 x 1050	64.0	60.0	108.0	-	-	✓	✓	✓	✓
	1400 x 1050	65.2	60.0	122.6	-	-	✓	✓	✓	✓
	1400 x 1050	65.3	60.0	121.8	-	-	✓	✓	✓	✓
1400 x 1050/72	1400 x 1050	78.8	72.0	149.3	-	-	✓	✓	✓	✓
1400 x 1050/75	1400 x 1050	82.2	75.0	155.9	-	-	✓	✓	✓	✓
1440 x 900/50	1440 x 900	46.3	49.9	86.8	-	-	✓	✓	✓	✓
1440 x 900/60	1440 x 900	55.9	59.9	106.5	-	-	✓	✓	✓	✓
1600 x 900/50	1600 x 900	46.4	49.9	96.5	-	-	✓	✓	✓	✓
1600 x 900/60	1600 x 900	55.9	60.0	119.0	-	-	✓	✓	✓	✓
1600 x 1200/50	1600 x 1200	61.8	49.9	131.5	-	-	✓	✓	✓	✓
1600 x 1200/60	1600 x 1200	75.0	60.0	162.0	-	-	✓	✓	✓	✓
1680 x 1050/50	1680 x 1050	54.1	50.0	119.5	-	-	✓	✓	✓	✓
1680 x 1050/60	1680 x 1050	65.3	60.0	146.3	-	-	✓	✓	✓	✓
1920 x 1080/50	1920 x 1080	55.6	49.9	141.5	-	-	✓	✓	✓	✓
1920 x 1080/60	1920 x 1080*2	66.6	59.9	138.5	-	-	✓	✓	✓	✓
	1920 x 1080*4	67.2	60.0	173.0	-	-	✓	✓	-	-
1920 x 1200/50	1920 x 1200	61.8	49.9	158.3	-	-	✓	✓	✓	✓
1920 x 1200/60	1920 x 1200*4	74.6	59.9	193.3	-	-	✓	✓	-	-
1920 x 1200/60RB	1920 x 1200*2	74.0	60.0	154.0	-	-	✓	✓	✓	✓

\*1 Pixel-Repetition signal (dot clock frequency 27.0 MHz) only

\*2 VESA CVT-RB (Reduced Blanking)-compliant.

\*3 Image is displayed as 3D image in the frame sequential format when [3D INPUT FORMAT] is set to [AUTO]. To display images in 2D, set [3D INPUT FORMAT] to [NATIVE].

\*4 Image resolution is reduced by the image processing circuit before projection.

List of SDI compatible signals

•Single link

Compatible signal	Resolution (Dots)	Scanning freq.		Dot clock freq. (MHz)	Format	Color space	Sampling
		H (KHz)	V (Hz)				
480/60i	720 x 480i	15.7	59.9	27.0	SD-SDI	YCbCr	4:2:2 10bit
576/50i	720 x 576i	15.6	50.0	27.0	SD-SDI	YCbCr	4:2:2 10bit
720/60p	1280 x 720	45.0	60.0*1	74.3	HD-SDI	YPbPr	4:2:2 10bit
720/50p	1280 x 720	37.5	50.0	74.3	HD-SDI	YPbPr	4:2:2 10bit
1080/60i	1920 x 1080i	33.8	60.0*1	74.3	HD-SDI	YPbPr	4:2:2 10bit
	1920 x 1080i	33.8	60.0*1	74.3	3G-SDI Level-A	RGB	4:4:4 10bit
	1920 x 1080i	33.8	60.0*1	74.3	3G-SDI Level-B	RGB	4:4:4 10bit
	1920 x 1080i	33.8	60.0*1	74.3	3G-SDI Level-A	RGB	4:4:4 12bit
	1920 x 1080i	33.8	60.0*1	74.3	3G-SDI Level-B	RGB	4:4:4 12bit
1080/50i	1920 x 1080i	28.1	50.0	74.3	HD-SDI	YPbPr	4:2:2 10bit
	1920 x 1080i	28.1	50.0	74.3	3G-SDI Level-A	RGB	4:4:4 10bit
	1920 x 1080i	28.1	50.0	74.3	3G-SDI Level-B	RGB	4:4:4 10bit
	1920 x 1080i	28.1	50.0	74.3	3G-SDI Level-A	RGB	4:4:4 12bit
	1920 x 1080i	28.1	50.0	74.3	3G-SDI Level-B	RGB	4:4:4 12bit
1080/24p	1920 x 1080	27.0	24.0*1	74.3	HD-SDI	YPbPr	4:2:2 10bit
	1920 x 1080	27.0	24.0*1	74.3	3G-SDI Level-A	RGB	4:4:4 10bit
	1920 x 1080	27.0	24.0*1	74.3	3G-SDI Level-B	RGB	4:4:4 10bit
	1920 x 1080	27.0	24.0*1	74.3	3G-SDI Level-A	RGB	4:4:4 12bit
	1920 x 1080	27.0	24.0*1	74.3	3G-SDI Level-B	RGB	4:4:4 12bit

Compatible signal	Resolution (Dots)	Scanning freq.		Dot clock freq. (MHz)	Format	Color space	Sampling
		H (KHz)	V (Hz)				
1080/24sF	1920 x 1080i	27.0	48.0*1	74.3	HD-SDI	YPbPr	4:2:2 10bit
	1920 x 1080i	27.0	48.0*1	74.3	3G-SDI Level-A	RGB	4:4:4 10bit
	1920 x 1080i	27.0	48.0*1	74.3	3G-SDI Level-B	RGB	4:4:4 10bit
	1920 x 1080i	27.0	48.0*1	74.3	3G-SDI Level-A	RGB	4:4:4 12bit
	1920 x 1080i	27.0	48.0*1	74.3	3G-SDI Level-B	RGB	4:4:4 12bit
1080/25p	1920 x 1080	28.1	25.0	74.3	HD-SDI	YPbPr	4:2:2 10bit
	1920 x 1080	28.1	25.0	74.3	3G-SDI Level-A	RGB	4:4:4 10bit
	1920 x 1080	28.1	25.0	74.3	3G-SDI Level-B	RGB	4:4:4 10bit
	1920 x 1080	28.1	25.0	74.3	3G-SDI Level-A	RGB	4:4:4 12bit
	1920 x 1080	28.1	25.0	74.3	3G-SDI Level-B	RGB	4:4:4 12bit
1080/30p	1920 x 1080	33.8	30.0*1	74.3	HD-SDI	YPbPr	4:2:2 10bit
	1920 x 1080	33.8	30.0*1	74.3	3G-SDI Level-A	RGB	4:4:4 10bit
	1920 x 1080	33.8	30.0*1	74.3	3G-SDI Level-B	RGB	4:4:4 10bit
	1920 x 1080	33.8	30.0*1	74.3	3G-SDI Level-A	RGB	4:4:4 12bit
	1920 x 1080	33.8	30.0*1	74.3	3G-SDI Level-B	RGB	4:4:4 12bit
1080/60p	1920 x 1080	67.5	60.0*1	148.5	3G-SDI Level-A	YPbPr	4:2:2 10bit
	1920 x 1080	67.5	60.0*1	148.5	3G-SDI Level-B	YPbPr	4:2:2 10bit
1080/50p	1920 x 1080	56.3	50.0	148.5	3G-SDI Level-A	YPbPr	4:2:2 10bit
	1920 x 1080	56.3	50.0	148.5	3G-SDI Level-B	YPbPr	4:2:2 10bit
2K/24p	2048 x 1080	27.0	24.0*1	74.3	3G-SDI Level-A	RGB	4:4:4 10bit
	2048 x 1080	27.0	24.0*1	74.3	3G-SDI Level-B	RGB	4:4:4 10bit
	2048 x 1080	27.0	24.0*1	74.3	3G-SDI Level-A	RGB	4:4:4 12bit
	2048 x 1080	27.0	24.0*1	74.3	3G-SDI Level-B	RGB	4:4:4 12bit
	2048 x 1080	27.0	24.0*1	74.3	3G-SDI Level-A	XYZ	4:4:4 12bit
	2048 x 1080	27.0	24.0*1	74.3	3G-SDI Level-B	XYZ	4:4:4 12bit
2K/25p	2048 x 1080	28.1	25.0	74.3	3G-SDI Level-A	RGB	4:4:4 10bit
	2048 x 1080	28.1	25.0	74.3	3G-SDI Level-B	RGB	4:4:4 10bit
	2048 x 1080	28.1	25.0	74.3	3G-SDI Level-A	RGB	4:4:4 12bit
	2048 x 1080	28.1	25.0	74.3	3G-SDI Level-B	RGB	4:4:4 12bit
	2048 x 1080	28.1	25.0	74.3	3G-SDI Level-A	XYZ	4:4:4 12bit
	2048 x 1080	28.1	25.0	74.3	3G-SDI Level-B	XYZ	4:4:4 12bit
2K/30p	2048 x 1080	33.8	30.0*1	74.3	3G-SDI Level-A	RGB	4:4:4 10bit
	2048 x 1080	33.8	30.0*1	74.3	3G-SDI Level-B	RGB	4:4:4 10bit
	2048 x 1080	33.8	30.0*1	74.3	3G-SDI Level-A	RGB	4:4:4 12bit
	2048 x 1080	33.8	30.0*1	74.3	3G-SDI Level-B	RGB	4:4:4 12bit
	2048 x 1080	33.8	30.0*1	74.3	3G-SDI Level-A	XYZ	4:4:4 12bit
	2048 x 1080	33.8	30.0*1	74.3	3G-SDI Level-B	XYZ	4:4:4 12bit
2K/48p	2048 x 1080	54.0	48.0*1	148.5	3G-SDI Level-A	YPbPr	4:2:2 10bit
	2048 x 1080	54.0	48.0*1	148.5	3G-SDI Level-B	YPbPr	4:2:2 10bit
2K/50p	2048 x 1080	56.3	50.0	148.5	3G-SDI Level-A	YPbPr	4:2:2 10bit
	2048 x 1080	56.3	50.0	148.5	3G-SDI Level-B	YPbPr	4:2:2 10bit
2K/60p	2048 x 1080	67.5	60.0*1	148.5	3G-SDI Level-A	YPbPr	4:2:2 10bit
	2048 x 1080	67.5	60.0*1	148.5	3G-SDI Level-B	YPbPr	4:2:2 10bit

\*1 Compatible with VERTICAL SCAN FREQUENCY 1/1.001

List of SDI compatible signals

•Dual link

Compatible signal	Resolution (Dots)	Scanning freq.		Dot clock freq. (MHz)	Format	Color space	Sampling
		H (KHz)	V (Hz)				
1080/60i	1920 x 1080i	33.8	60.0*1	74.3	HD-SDI	RGB	4:4:4 10bit
	1920 x 1080i	33.8	60.0*1	74.3	HD-SDI	RGB	4:4:4 12bit
1080/50i	1920 x 1080i	28.1	50.0	74.3	HD-SDI	RGB	4:4:4 10bit
	1920 x 1080i	28.1	50.0	74.3	HD-SDI	RGB	4:4:4 12bit
1080/24p	1920 x 1080	27.0	24.0*1	74.3	HD-SDI	RGB	4:4:4 10bit
	1920 x 1080	27.0	24.0*1	74.3	HD-SDI	RGB	4:4:4 12bit
1080/24sF	1920 x 1080i	27.0	48.0*1	74.3	HD-SDI	RGB	4:4:4 10bit
	1920 x 1080i	27.0	48.0*1	74.3	HD-SDI	RGB	4:4:4 12bit
1080/25p	1920 x 1080	28.1	25.0	74.3	HD-SDI	RGB	4:4:4 10bit
	1920 x 1080	28.1	25.0	74.3	HD-SDI	RGB	4:4:4 12bit
1080/30p	1920 x 1080	33.8	30.0*1	74.3	HD-SDI	RGB	4:4:4 10bit
	1920 x 1080	33.8	30.0*1	74.3	HD-SDI	RGB	4:4:4 12bit



Compatible signal	Resolution (Dots)	Scanning freq.		Dot clock freq. (MHz)	Format	Color space	Sampling
		H (KHz)	V (Hz)				
1080/60p	1920 x 1080	67.5	60.0*1	148.5	3G-SDI Level-A	YPbPr	4:4:4 10bit
	1920 x 1080	67.5	60.0*1	148.5	3G-SDI Level-B	YPbPr	4:4:4 10bit
	1920 x 1080	67.5	60.0*1	148.5	3G-SDI Level-A	YPbPr	4:4:4 12bit
	1920 x 1080	67.5	60.0*1	148.5	3G-SDI Level-B	YPbPr	4:4:4 12bit
	1920 x 1080	67.5	60.0*1	148.5	3G-SDI Level-A	RGB	4:4:4 10bit
	1920 x 1080	67.5	60.0*1	148.5	3G-SDI Level-B	RGB	4:4:4 10bit
	1920 x 1080	67.5	60.0*1	148.5	3G-SDI Level-A	RGB	4:4:4 12bit
	1920 x 1080	67.5	60.0*1	148.5	3G-SDI Level-B	RGB	4:4:4 12bit
1080/50p	1920 x 1080	56.3	50.0	148.5	3G-SDI Level-A	YPbPr	4:4:4 10bit
	1920 x 1080	56.3	50.0	148.5	3G-SDI Level-B	YPbPr	4:4:4 10bit
	1920 x 1080	56.3	50.0	148.5	3G-SDI Level-A	YPbPr	4:4:4 12bit
	1920 x 1080	56.3	50.0	148.5	3G-SDI Level-B	YPbPr	4:4:4 12bit
	1920 x 1080	56.3	50.0	148.5	3G-SDI Level-A	RGB	4:4:4 10bit
	1920 x 1080	56.3	50.0	148.5	3G-SDI Level-B	RGB	4:4:4 10bit
	1920 x 1080	56.3	50.0	148.5	3G-SDI Level-A	RGB	4:4:4 12bit
	1920 x 1080	56.3	50.0	148.5	3G-SDI Level-B	RGB	4:4:4 12bit
2K/24p	2048 x 1080	27.0	24.0*1	74.25	HD-SDI	RGB	4:4:4 10bit
	2048 x 1080	27.0	24.0*1	74.25	HD-SDI	RGB	4:4:4 12bit
	2048 x 1080	27.0	24.0*1	74.25	HD-SDI	XYZ	4:4:4 12bit
2K/48p	2048 x 1080	54.0	48.0*1	148.5	3G-SDI Level-A	YPbPr	4:4:4 10bit
	2048 x 1080	54.0	48.0*1	148.5	3G-SDI Level-B	YPbPr	4:4:4 10bit
	2048 x 1080	54.0	48.0*1	148.5	3G-SDI Level-A	YPbPr	4:4:4 12bit
	2048 x 1080	54.0	48.0*1	148.5	3G-SDI Level-B	YPbPr	4:4:4 12bit
	2048 x 1080	54.0	48.0*1	148.5	3G-SDI Level-A	RGB	4:4:4 10bit
	2048 x 1080	54.0	48.0*1	148.5	3G-SDI Level-B	RGB	4:4:4 10bit
	2048 x 1080	54.0	48.0*1	148.5	3G-SDI Level-A	RGB	4:4:4 12bit
	2048 x 1080	54.0	48.0*1	148.5	3G-SDI Level-B	RGB	4:4:4 12bit
2K/50p	2048 x 1080	56.3	50.0	148.5	3G-SDI Level-A	YPbPr	4:4:4 10bit
	2048 x 1080	56.3	50.0	148.5	3G-SDI Level-B	YPbPr	4:4:4 10bit
	2048 x 1080	56.3	50.0	148.5	3G-SDI Level-A	YPbPr	4:4:4 12bit
	2048 x 1080	56.3	50.0	148.5	3G-SDI Level-B	YPbPr	4:4:4 12bit
	2048 x 1080	56.3	50.0	148.5	3G-SDI Level-A	RGB	4:4:4 10bit
	2048 x 1080	56.3	50.0	148.5	3G-SDI Level-B	RGB	4:4:4 10bit
	2048 x 1080	56.3	50.0	148.5	3G-SDI Level-A	RGB	4:4:4 12bit
	2048 x 1080	56.3	50.0	148.5	3G-SDI Level-B	RGB	4:4:4 12bit
2K/60p	2048 x 1080	67.5	60.0*1	148.5	3G-SDI Level-A	YPbPr	4:4:4 10bit
	2048 x 1080	67.5	60.0*1	148.5	3G-SDI Level-B	YPbPr	4:4:4 10bit
	2048 x 1080	67.5	60.0*1	148.5	3G-SDI Level-A	YPbPr	4:4:4 12bit
	2048 x 1080	67.5	60.0*1	148.5	3G-SDI Level-B	YPbPr	4:4:4 12bit
	2048 x 1080	67.5	60.0*1	148.5	3G-SDI Level-A	RGB	4:4:4 10bit
	2048 x 1080	67.5	60.0*1	148.5	3G-SDI Level-B	RGB	4:4:4 10bit
	2048 x 1080	67.5	60.0*1	148.5	3G-SDI Level-A	RGB	4:4:4 12bit
	2048 x 1080	67.5	60.0*1	148.5	3G-SDI Level-B	RGB	4:4:4 12bit

\*1 Compatible with VERTICAL SCAN FREQUENCY 1/1.001

List of simultaneous input 2D compatible signals

2D compatible signal	Resolution (Dots)	Scanning freq.		Dot clock freq. (MHz)	HDMI/DVI	SDI 1/SDI 2
		H (KHz)	V (Hz)			
1080/60p	1 920 x 1 080	67.5	60	148.5	✓	✓
1080/50p	1 920 x 1 080	56.3	50	148.5	✓	✓
1366 x 768/50	1 366 x 768	39.6	49.9	69	✓	-
1366 x 768/60	1 366 x 768	47.7	59.8	85.5	✓	-
1400 x 1050/50	1 400 x 1 050	54.1	50	99.9	✓	-
1400 x 1050/60	1 400 x 1 050	65.3	60	121.8	✓	-
1920 x 1080/50	1 920 x 1 080	55.6	49.9	141.5	✓	-
1920 x 1080/60	1 920 x 1 080	66.6	59.9	138.5	✓	-
1920 x 1200/50	1 920 x 1 200	61.8	49.9	158.3	✓	-
1920 x 1200/60	1 920 x 1 200	74.0	60	154	✓	-

List of compatible 3D signals

FP: Frame packing format                    3G: 3G-SDI Level B simultaneous format  
 SBS: Side by side format                    H-D: HDMI & DVI-D input simultaneous format  
 TB: Top and bottom format                R1-2: RGB1 & RGB2 input simultaneous format  
 LBL: Line by line format                    S1-2: SDI1 & SDI2 input simultaneous format  
 FS: Frame sequential format

3D Compatible signal	Resolution (Dots)	Scanning freq.		Dot clock freq. (MHz)	HDMI				DVI				RGB1/RGB2				SDI1/SDI2				H-D	R1-2	S1-2
		H (KHz)	V (Hz)		FP	SBS*1	TB	FS	SBS*1	TB	LBL	FS	SBS*1	TB	LBL	FS	SBS*1	TB	LBL	3G			
720/60p	1280 x 720	45.0	60.0	74.3	✓	✓	✓	-	✓	✓	✓	-	✓	✓	✓	-	✓	✓	✓	✓	✓	✓	✓
720/50p	1280 x 720	37.5	50.0	74.3	✓	✓	✓	-	✓	✓	✓	-	✓	✓	✓	-	✓	✓	✓	✓	✓	✓	✓
1080/60i	1920 x 1080i	33.8	60.0	74.3	✓	✓	-	-	✓	✓	-	-	✓	✓	-	-	✓	✓	-	✓	✓	✓	✓
1080/50i	1920 x 1080i	28.1	50.0	74.3	✓	✓	-	-	✓	✓	-	-	✓	✓	-	-	✓	✓	-	✓	✓	✓	✓
1080/24p	1920 x 1080	27.0	24.0	74.3	✓	✓	✓	-	✓	✓	-	-	✓	✓	-	-	✓	✓	-	✓	✓	✓	✓
1080/24sF	1920 x 1080i	27.0	24.0	74.3	-	-	-	-	✓	✓	-	-	✓	✓	-	-	✓	✓	-	✓	✓	✓	✓
1080/25p	1920 x 1080	28.1	25.0	74.3	-	-	-	-	✓	✓	-	-	✓	✓	-	-	✓	✓	-	✓	✓	✓	✓
1080/30p	1920 x 1080	33.8	30.0	74.3	-	-	-	-	✓	✓	-	-	✓	✓	-	-	✓	✓	-	✓	✓	✓	✓
1080/60p	1920 x 1080	67.5	60.0	148.5	-	✓	✓	-	✓	✓	-	-	✓	✓	-	-	✓	✓	-	-	✓	✓	✓
1080/50p	1920 x 1080	56.3	50.0	148.5	-	✓	✓	-	✓	✓	-	-	✓	✓	-	-	✓	✓	-	-	✓	✓	✓
640 x 480	640 x 480	31.5	59.9	25.2	-	-	-	-	✓	-	-	-	✓	-	-	-	-	-	-	-	-	-	-
800 x 600	640 x 480	37.9	60.3	40.0	-	-	-	-	✓	-	-	-	✓	-	-	-	-	-	-	-	-	-	-
1024 x 768	1024 x 768	39.6	50.0	51.9	-	-	-	-	✓	-	-	-	✓	-	-	-	-	-	-	-	-	-	-
	1024 x 768	48.4	60.0	65.0	-	-	-	-	✓	-	-	-	✓	-	-	-	-	-	-	-	-	-	-
	1024 x 768	81.4	100.0	113.3	-	-	-	✓	-	-	-	✓	-	-	✓	-	-	-	-	-	-	-	-
	1024 x 768	98.8	120.0	139.1	-	-	-	✓	-	-	-	✓	-	-	✓	-	-	-	-	-	-	-	-
1152 x 864	1152 x 864	53.7	60.0	81.6	-	-	-	-	✓	-	-	-	✓	-	-	-	-	-	-	-	-	-	-
1280 x 720	1280 x 720	37.1	49.8	60.5	-	-	-	-	✓	-	-	-	✓	-	-	-	-	-	-	-	-	-	-
	1280 x 720	44.8	59.9	74.5	-	-	-	-	✓	-	-	-	✓	-	-	-	-	-	-	-	-	-	-
	1280 x 720	76.3	100.0	131.8	-	-	-	✓	-	-	-	✓	-	-	✓	-	-	-	-	-	-	-	-
	1280 x 720	92.6	120.0	161.6	-	-	-	✓	-	-	-	✓	-	-	✓	-	-	-	-	-	-	-	-
1280 x 768	1280 x 768	39.6	49.9	65.3	-	-	-	-	✓	-	-	-	✓	-	-	-	-	-	-	-	-	-	-
	1280 x 768	47.8	59.9	79.5	-	-	-	-	✓	-	-	-	✓	-	-	-	-	-	-	-	-	-	-
	1280 x 768*2	47.4	60.0	68.3	-	-	-	-	✓	-	-	-	✓	-	-	-	-	-	-	-	-	-	-
1280 x 800	1280 x 800	41.3	50.0	68.0	-	-	-	-	✓	-	-	-	✓	-	-	-	-	-	-	-	-	-	-
	1280 x 800	49.7	59.8	83.5	-	-	-	-	✓	-	-	-	✓	-	-	-	-	-	-	-	-	-	-
	1280 x 800*2	49.3	59.9	71.0	-	-	-	-	✓	-	-	-	✓	-	-	-	-	-	-	-	-	-	-
1280 x 960	1280 x 960	60.0	60.0	108.0	-	-	-	-	✓	-	-	-	✓	-	-	-	-	-	-	-	-	-	-
1280 x 1024	1280 x 1024	52.4	50.0	88.0	-	-	-	-	✓	-	-	-	✓	-	-	-	-	-	-	-	-	-	-
	1280 x 1024	64.0	60.0	108.0	-	-	-	-	✓	-	-	-	✓	-	-	-	-	-	-	-	-	-	-
1366 x 768	1366 x 768	47.7	59.8	85.5	-	-	-	-	✓	-	-	-	✓	-	-	-	-	-	-	-	-	-	-
	1366 x 768	39.6	49.9	69.0	-	-	-	-	✓	-	-	-	✓	-	-	-	-	-	-	-	-	-	-
1400 x 1050	1400 x 1050	54.1	50.0	99.9	-	-	-	-	✓	-	-	-	✓	-	-	-	-	-	-	-	✓	✓	-
	1400 x 1050	64.0	60.0	108.0	-	-	-	-	✓	-	-	-	✓	-	-	-	-	-	-	-	✓	✓	-
	1400 x 1050	65.2	60.0	122.6	-	-	-	-	✓	-	-	-	✓	-	-	-	-	-	-	-	✓	✓	-
	1400 x 1050	65.3	60.0	121.8	-	-	-	-	✓	-	-	-	✓	-	-	-	-	-	-	-	✓	✓	-
1440 x 900	1440 x 900	55.9	59.9	106.5	-	-	-	-	✓	-	-	-	✓	-	-	-	-	-	-	-	-	-	-
	1440 x 900	46.3	49.9	86.8	-	-	-	-	✓	-	-	-	✓	-	-	-	-	-	-	-	-	-	-
1600 x 900	1600 x 900	46.4	49.9	96.5	-	-	-	-	✓	-	-	-	✓	-	-	-	-	-	-	-	-	-	-
	1600 x 900	55.9	60.0	119.0	-	-	-	-	✓	-	-	-	✓	-	-	-	-	-	-	-	-	-	-
1600 x 1200	1600 x 1200	75.0	60.0	162.0	-	-	-	-	✓	-	-	-	✓	-	-	-	-	-	-	-	-	-	-
	1600 x 1200	61.8	49.9	131.5	-	-	-	-	✓	-	-	-	✓	-	-	-	-	-	-	-	-	-	-
1680 x 1050	1680 x 1050	65.3	60.0	146.3	-	-	-	-	✓	-	-	-	✓	-	-	-	-	-	-	-	-	-	-
	1680 x 1050	54.1	50.0	119.5	-	-	-	-	✓	-	-	-	✓	-	-	-	-	-	-	-	-	-	-
1920 x 1080	1920 x 1080	55.6	49.9	141.5	-	-	-	-	✓	-	-	-	✓	-	-	-	-	-	-	-	-	-	-
	1920 x 1080*2	66.6	59.9	138.5	-	-	-	-	✓	-	-	-	✓	-	-	-	-	-	-	-	-	-	-
1920 x 1200	1920 x 1200	61.8	49.9	158.3	-	-	-	-	✓	-	-	-	✓	-	-	-	-	-	-	-	✓	✓	-
	1920 x 1200*2	74.0	60.0	154.0	-	-	-	-	✓	-	✓	-	✓	-	✓	-	-	-	-	-	✓	✓	-

\*1 Supports half.  
 \*2 VESA CVT RB (Reduced Blanking) compliant

Note : DIGITAL LINK input compatible signal is the same as HDMI input compatible signal.